

**SCHEMATIC OF THE  
HEATHKIT®  
MONITOR SCOPE  
MODEL SB-610**

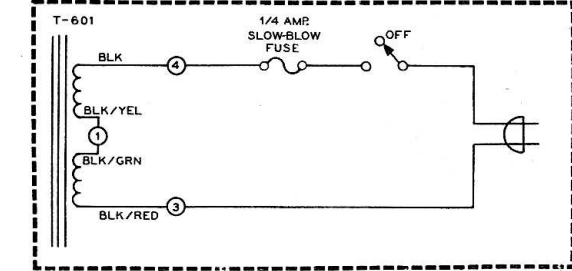
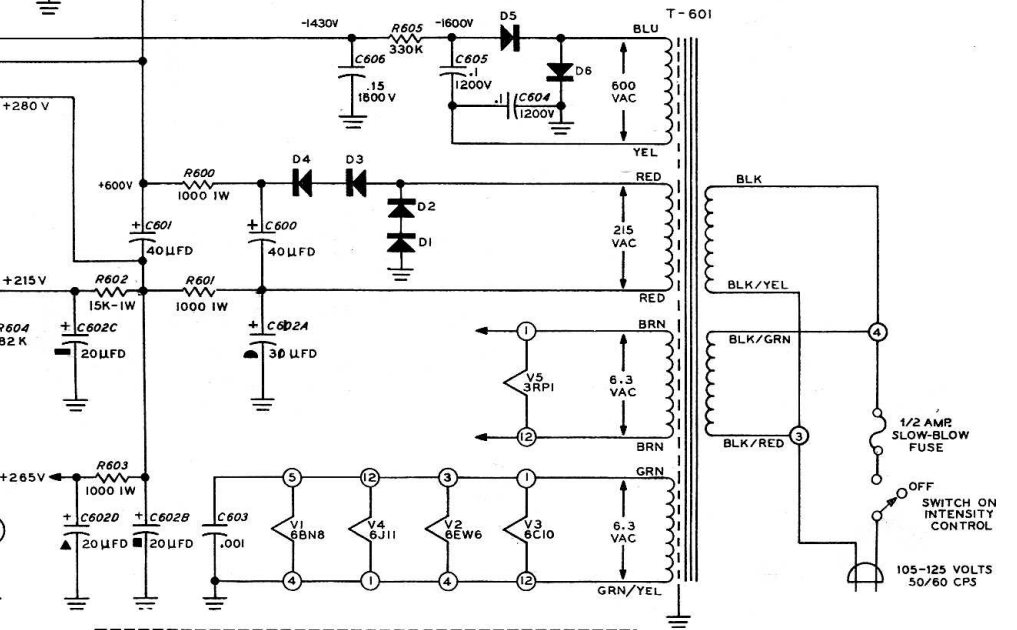
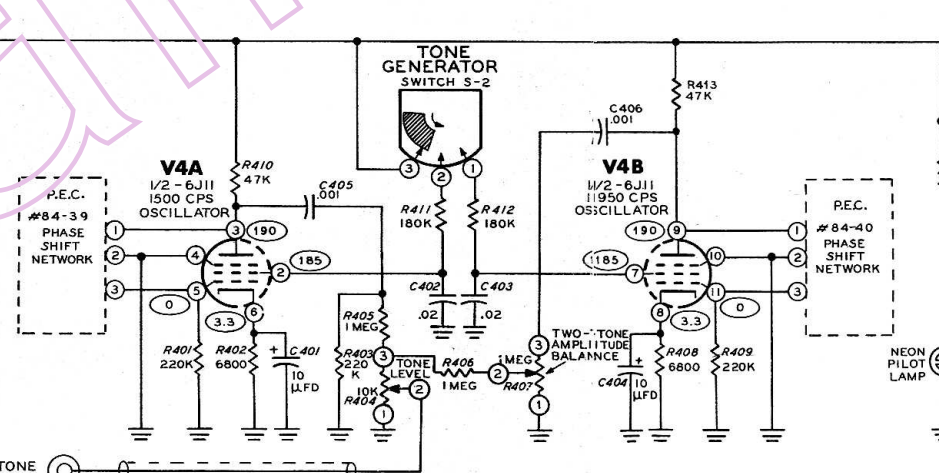
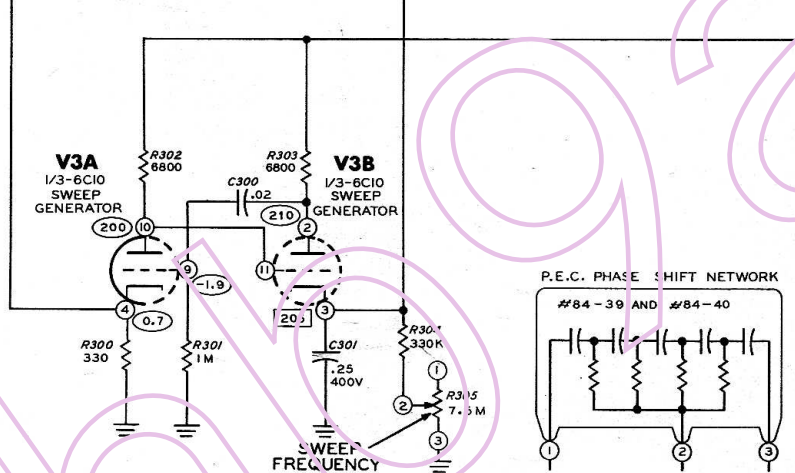
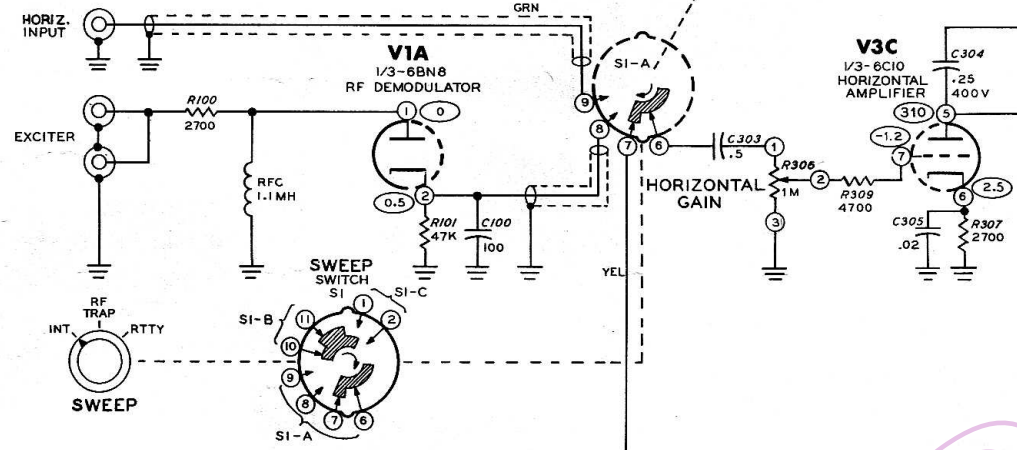
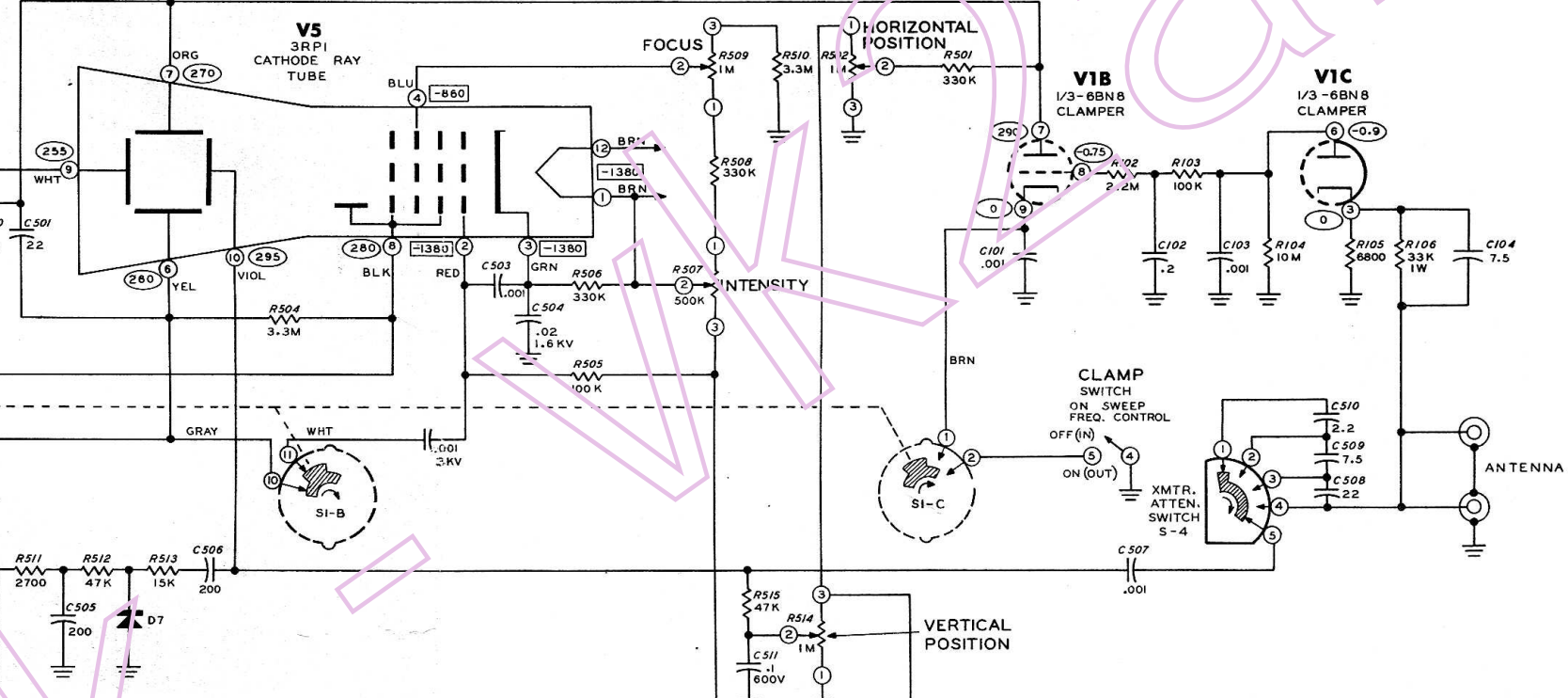
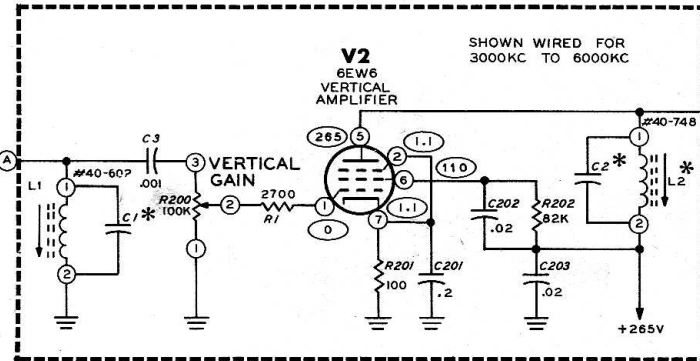
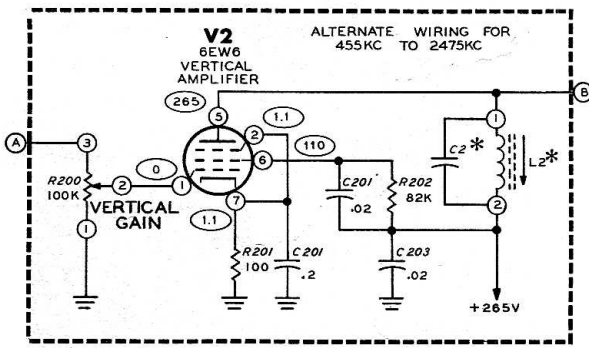
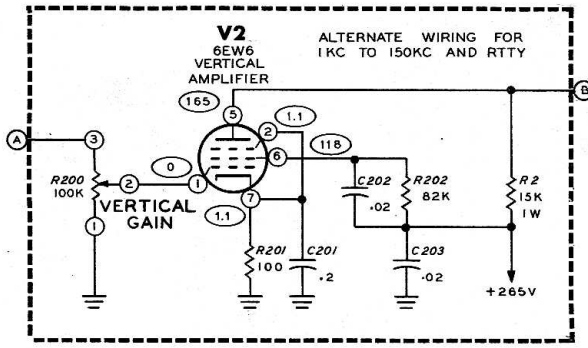
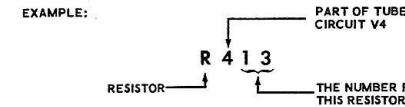
**NOTES:**

- MOST RESISTORS AND CAPACITORS ARE NUMBERED ACCORDING TO THE TUBE THEY ARE ASSOCIATED WITH.
- PARTS IN THE POWER SUPPLY ARE NUMBERED IN THE 600 SERIES.
- \*REFER TO THE ALTERNATE CONNECTIONS SECTION OF THE MANUAL FOR THE CORRECT PART (C1, C2, AND L2).
- ALL RESISTORS ARE 1/2 WATT UNLESS MARKED OTHERWISE. RESISTOR VALUES ARE IN OHMS (K = 1000, M = 1,000,000).
- CAPACITOR VALUES LESS THAN 1 ARE IN  $\mu$ F, VALUES OF 1 AND ABOVE ARE IN  $\mu$ F, UNLESS THEY ARE MARKED OTHERWISE.
- THIS SYMBOL INDICATES A POSITIVE DC VOLTAGE MEASUREMENT, TAKEN WITH AN 11 MEGOHM VTVM, FROM THE POINT INDICATED TO CHASSIS GROUND. VOLTAGES MAY VARY  $\pm 10\%$ .

- THIS SYMBOL INDICATES A VOLTAGE THAT MAY VARY WITH ASSOCIATED CONTROL SETTING.
- VOLTAGE READINGS TAKEN WITH THE CONTROLS AND SWITCHES IN THE FOLLOWING POSITIONS:

HORIZONTAL GAIN - FULL CLOCKWISE  
SWEEP FREQUENCY - FULL CLOCKWISE  
INTENSITY - SET FOR NORMAL TRACE  
FOCUS - SET FOR NORMAL TRACE  
VERTICAL POSITION - SET FOR NORMAL TRACE  
HORIZONTAL POSITION - FULL COUNTERCLOCKWISE  
VERTICAL GAIN - FULL COUNTERCLOCKWISE  
SWEEP - FULL COUNTERCLOCKWISE  
TONE GENERATOR - FULL COUNTERCLOCKWISE  
MEASUREMENTS AT VA - VOLTAGE READINGS AT VA  
ARE TAKEN WITH TONE SWITCH IN 2-TONE POSITION  
CLAMP - PUSHED IN

- SWITCH POSITIONS SHOWN IN FULL COUNTERCLOCKWISE POSITION, AS VIEWED FROM THE KNOB END OF THE SHAFT.



210 - 250 VOLT WIRING